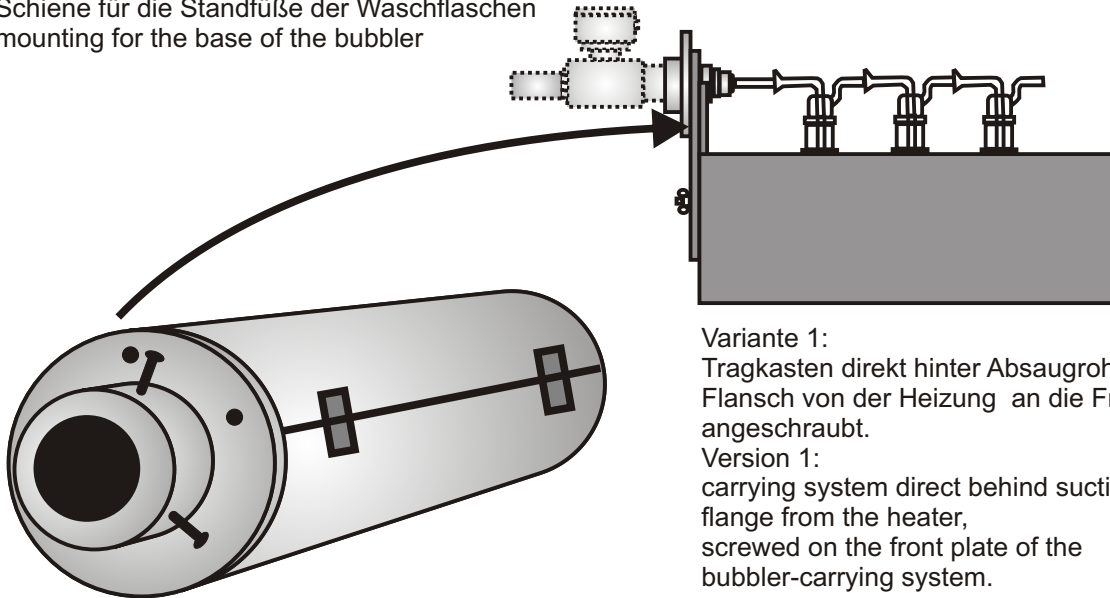
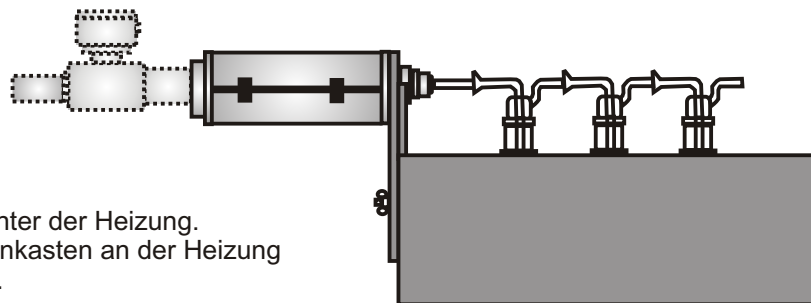


Schiene für die Standfüße der Waschflaschen  
 mounting for the base of the bubbler



Variante 1:  
 Tragkasten direkt hinter Absaugrohr.  
 Flansch von der Heizung an die Frontplatte  
 angeschraubt.  
 Version 1:  
 carrying system direct behind suction tube,  
 flange from the heater,  
 screwed on the front plate of the  
 bubbler-carrying system.

Filter-Heizung  
 Filter-Heater



Variante 2:  
 Tragkasten hinter der Heizung.  
 Waschflaschenkasten an der Heizung  
 angeschraubt.

Version 2:  
 carrying system direct behind heater,  
 carrying system screwed at the heater.